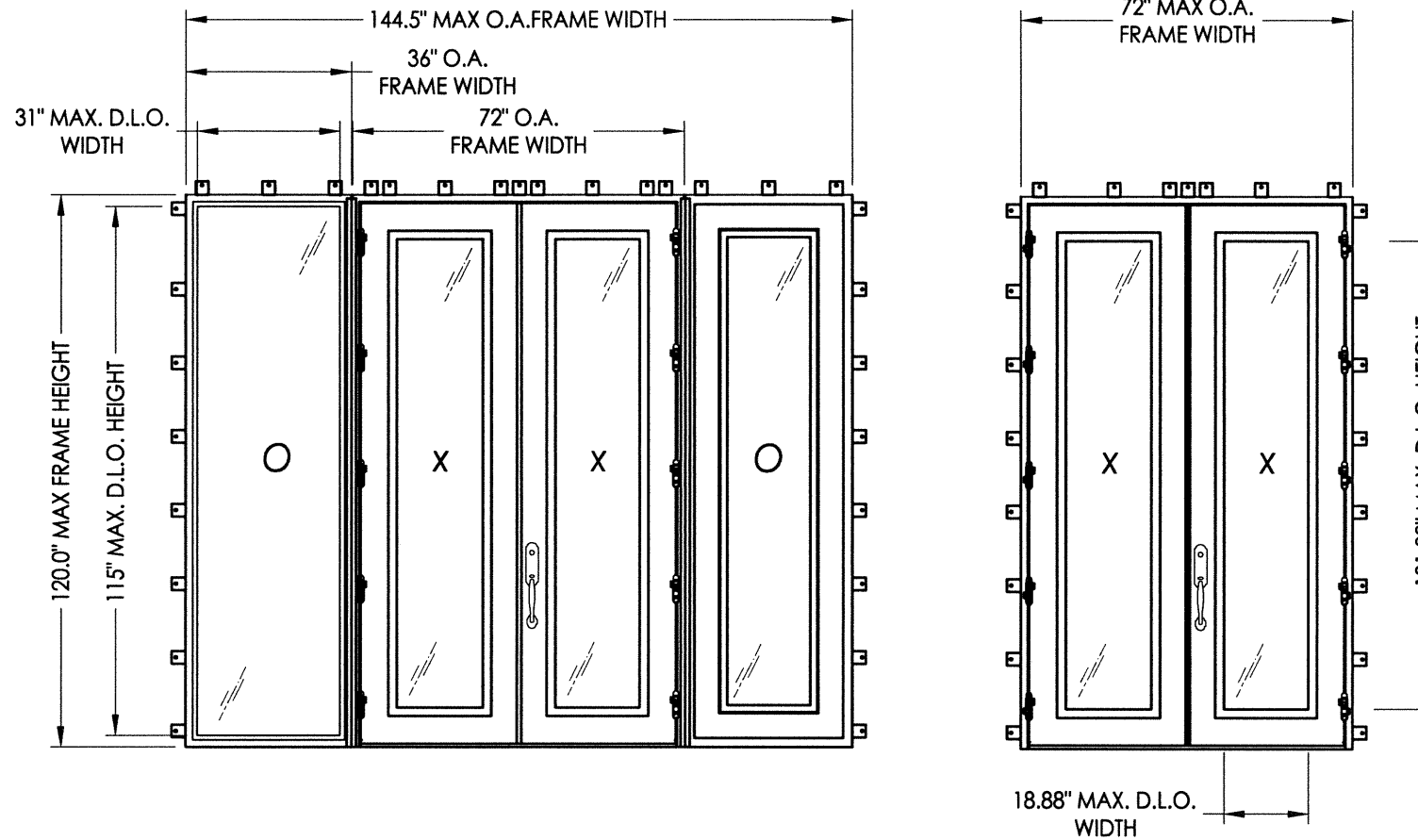


Clark Hall Iron Doors

GLAZED IRON DOUBLE DOOR w/ & w/out SIDELITES

INSWING/OUTSWING "IMPACT"



GENERAL NOTES

1. This product has been evaluated and is in compliance with the 2010 Florida Building Code (FBC) structural requirements including the "High Velocity Hurricane Zone" (HVHZ).
2. Product anchors shall be as listed and spaced as shown on details. Anchor embedment to base material shall be beyond wall dressing or stucco.
3. When used in the "HVHZ", this product complies with Section 1626 of the Florida Building Code and does not require an impact resistant covering.
4. For 2x stud framing construction, anchoring of these units shall be the same as that shown for 2x buck masonry construction.
5. Site conditions that deviate from the details of this drawing require further engineering analysis by a licensed engineer or registered architect.
6. This product does not meet the water infiltration requirements for the "HVHZ" and shall be installed only in non-habitable areas or at habitable locations protected by an overhang or canopy such that the angle between the edge of canopy or overhang to sill is less than 45 degrees.
7. All steel shall be protected as specified in Section 2220 of the FBC. In addition, all steel in contact with aluminum shall be protected as specified Section 2003.8.4 of the FBC.

TABLE OF CONTENTS

SHEET#	DESCRIPTION
1	Typical elevations, design pressures, & general notes
2	Door panel details
3	Sidelite panel details
4	Glazing details
5	Elevations
6	Horizontal cross sections
7	Vertical cross sections
8	Buck anchoring
9	Frame anchoring
10	Frame anchoring
11	Components
12	Bill of materials & components

CONFIGURATION	OVERALL FRAME DIMENSION	DESIGN PRESSURE (PSF)			
		INSWING		OUTSWING	
		POS.	NEG.	POS.	NEG.
XX	72.0" x 120.0"	+65.0	-65.0	+75.0	-75.0
OXXO	144.5" x 120.0"	+65.0	-65.0	+75.0	-75.0

NOTE: See Sheets 4 & 5 for glazing and lock hardware design pressure limitations.

Documents Prepared By:

RW BUILDING CONSULTANTS, INC.
P.O. Box 230 Valrico FL 33595
Phone No.: 813.659.9197
Florida Board of Professional Engineers
Certificate Of Authorization No. 9813
17/12/30/13
Lyndon F. Schmidt, P.E. No. 43409

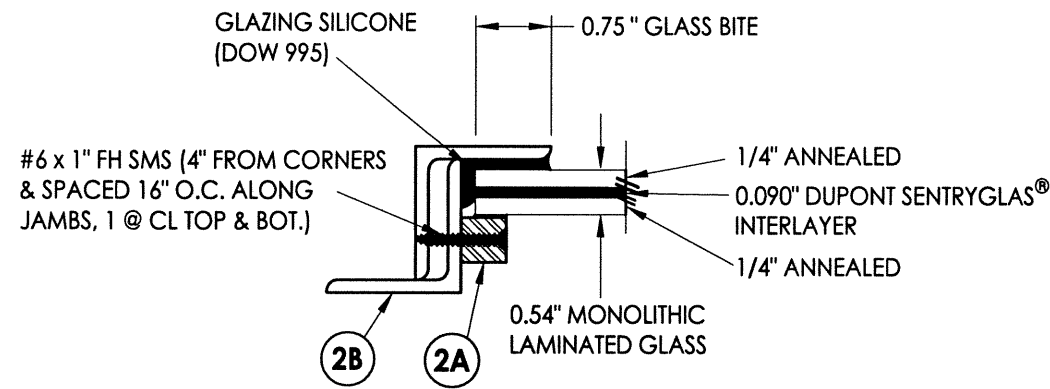
PRODUCT: CLARK HALL IRON DOORS

PART OR ASSEMBLY: TYPICAL ELEVATIONS, DESIGN PRESSURES & GENERAL NOTES

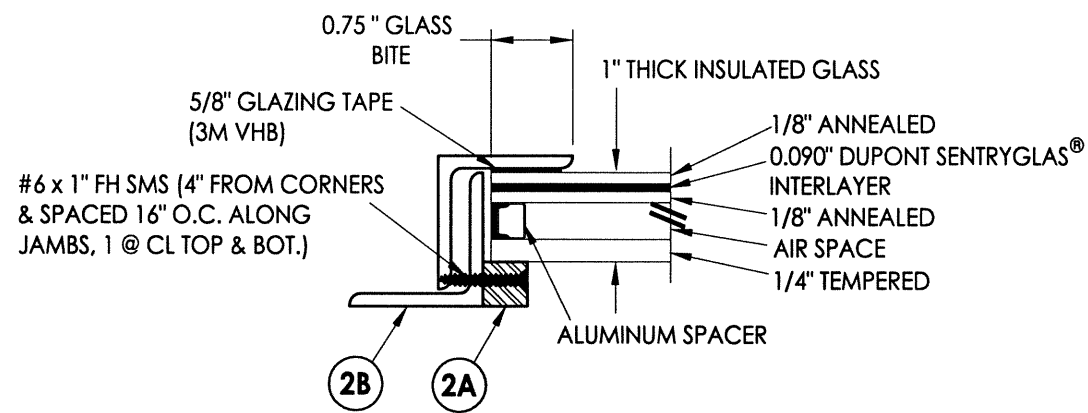
NO.	DATE	BY	REVISIONS

DATE: 10/30/13
SCALE: N.T.S.
DWG. BY: JK
CHK. BY: LFS
DRAWING NO.: FL-16663.17
SHEET 1 OF 12

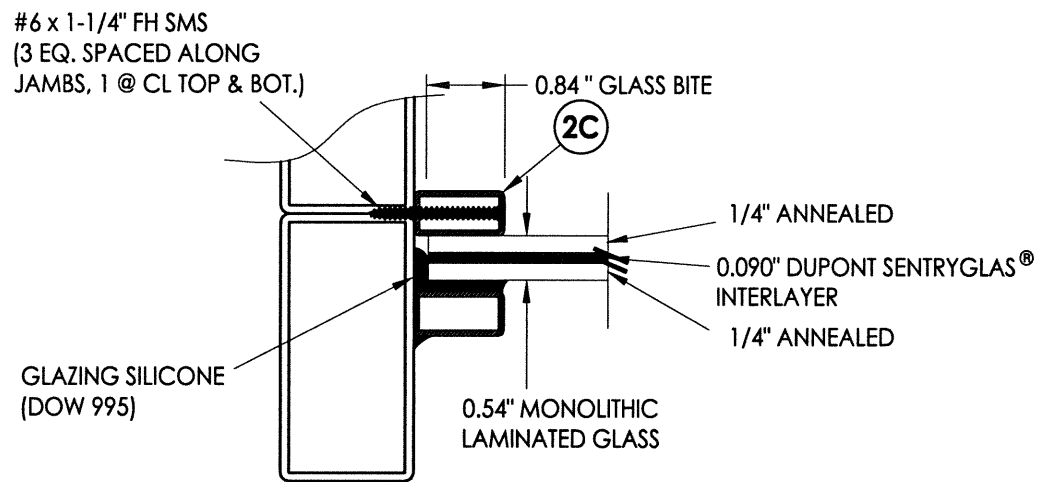
R:\A - Projects\Project Folders\Proj 1701 - 1800\VP 1733\DWG\RWBC Drawings\FL-16663.16-18.dwg, 4.5



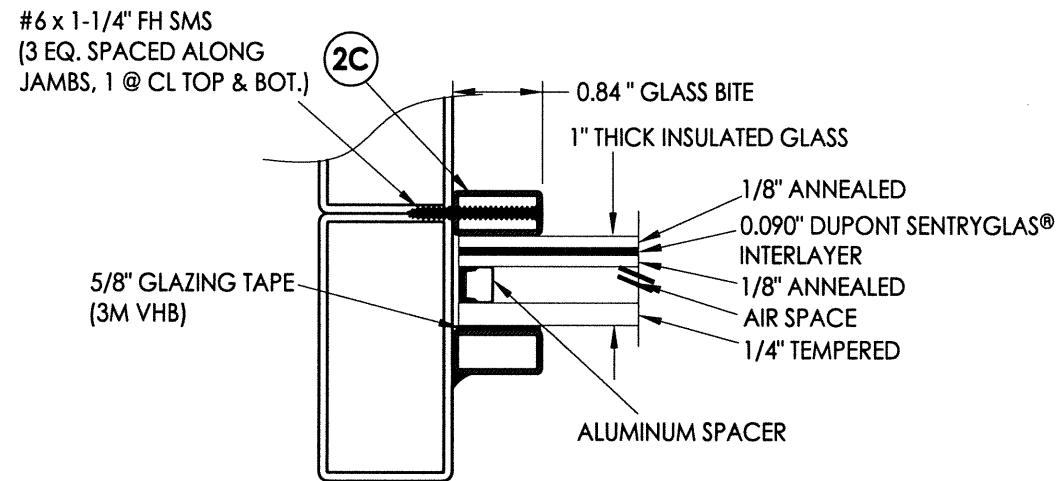
G1 GLAZING DETAIL
Operable Door/Sidelite



G2 GLAZING DETAIL
Operable Door/Sidelite



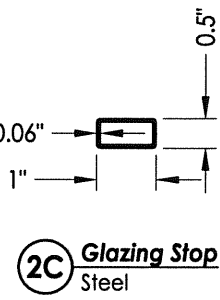
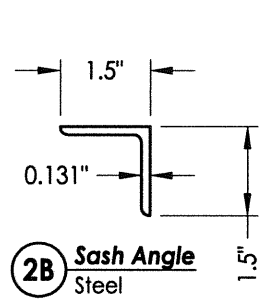
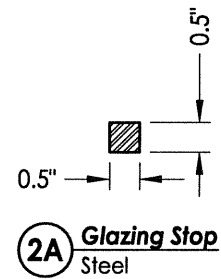
G1 GLAZING DETAIL
Fixed Sidelite/Transom



G2 GLAZING DETAIL
Fixed Sidelite/Transom

GLAZING DESIGN PRESSURE LIMITATIONS

GLAZING	MAX. DESIGN PRESSURE (PSF)	
	POS.	NEG.
G1	+75.0	-75.0
G2	+65.0	-65.0

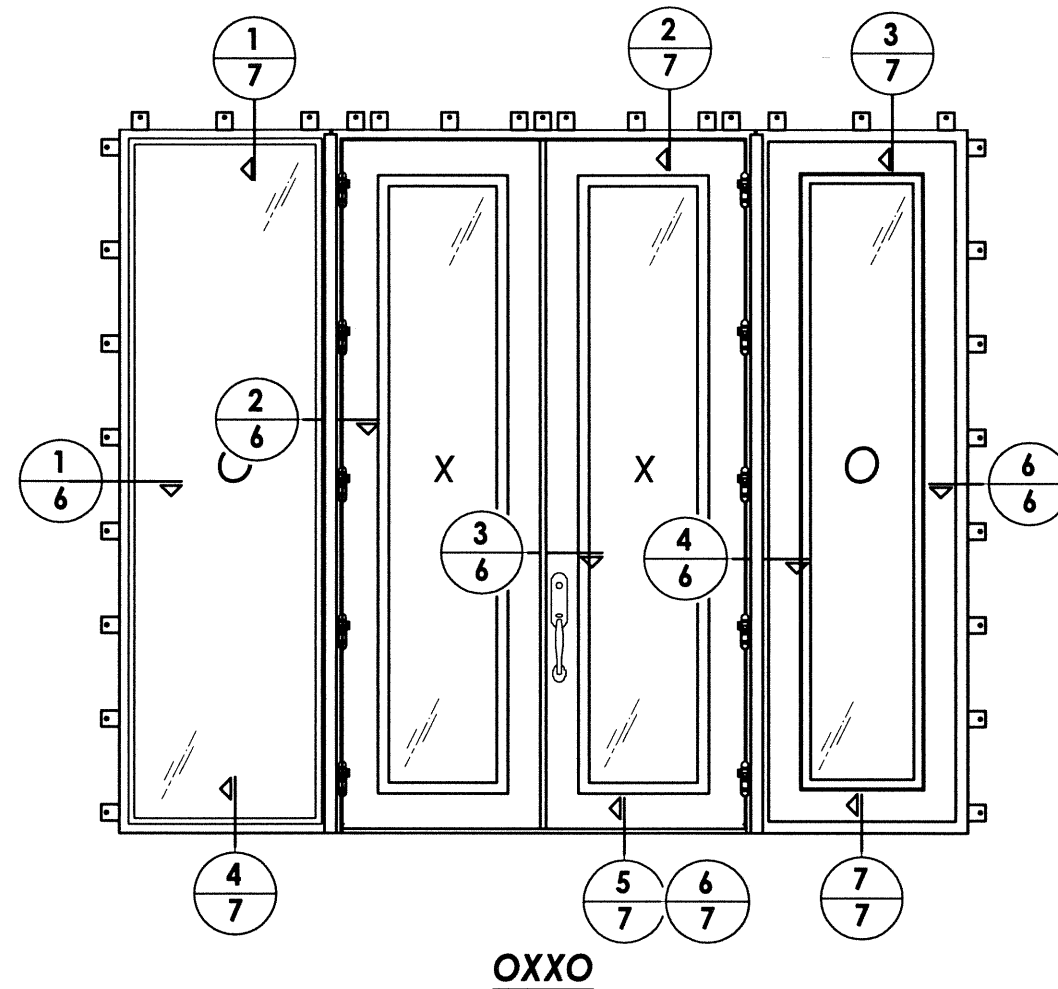
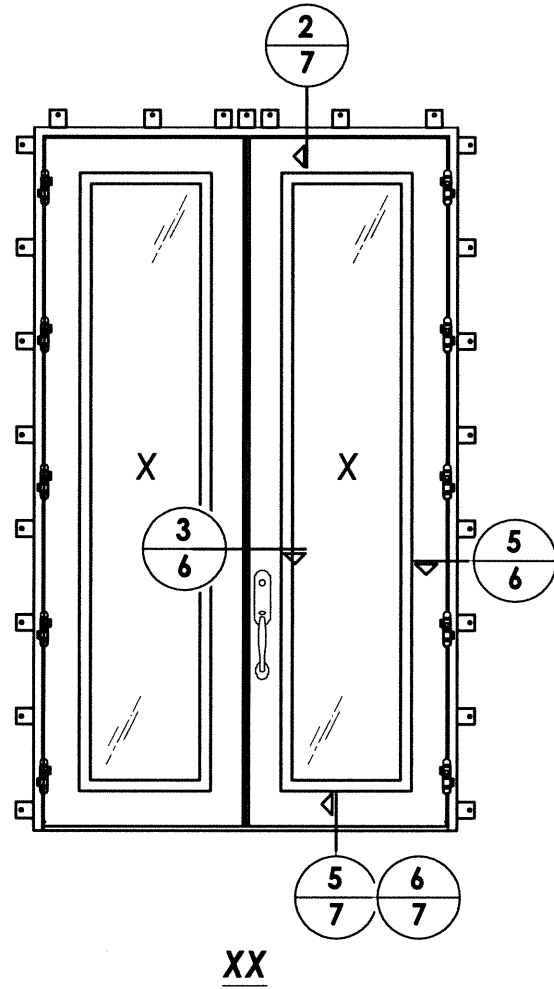


DATE: 11/8/13
SCALE: N.T.S.
DWG. BY: JK
CHK. BY: LFS
DRAWING NO.: FL-16663.17
SHEET 4 OF 12

PRODUCT: CLARK HALL IRON DOORS
PART OR ASSEMBLY: GLAZING DETAILS

NO.	DATE	BY

Documents Prepared By:
RW BUILDING CONSULTANTS, INC.
P.O. Box 230 Valrico FL 33595
Phone No.: 813.659.9197
Florida Board of Professional Engineers
Certificate of Authorization No. 9813
12-30-13
Lyndon F. Schmidt, P.E. No. 43409



LOCK HARDWARE DESIGN PRESSURE LIMITATIONS

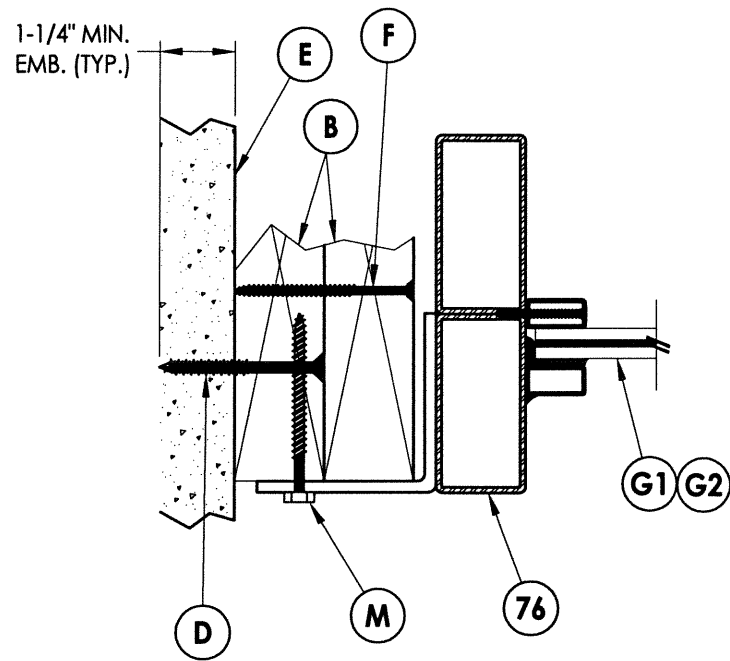
MANUFACTURER	MODEL	MAX. DESIGN PRESSURE (PSF)	
		POS.	NEG.
EMTEK	TUBULAR ENTRY SET (SHERIDAN - 451812)	+75.0	-75.0
SUN VALLEY BRONZE ACCURATE LOCK & HARDWARE	LEVER/KNOB ENTRY SET (RIDGE: CS-421PLD) MORTISE LOCK	+65.0	-65.0
ASHLEY NORTON	TUBULAR ENTRY SET (SQTUB w/ 900 SERIES KNOB)	+65.0	-65.0
ASHLEY NORTON ACCURATE LOCK & HARDWARE	MORTISE LOCK (SQMOR w/ 900 SERIES KNOB) MORTISE LOCK	+65.0	-65.0

Documents Prepared By:
RW BUILDING CONSULTANTS, INC.
 P.O. Box 230 Vairico FL, 33595
 Phone No.: 813.659.9197
 Florida Board of Professional Engineers
 Certificate Of Authorization No. 9813
LFS 12.30.13
 Lyndon F. Schmidt, P.E. No. 43409

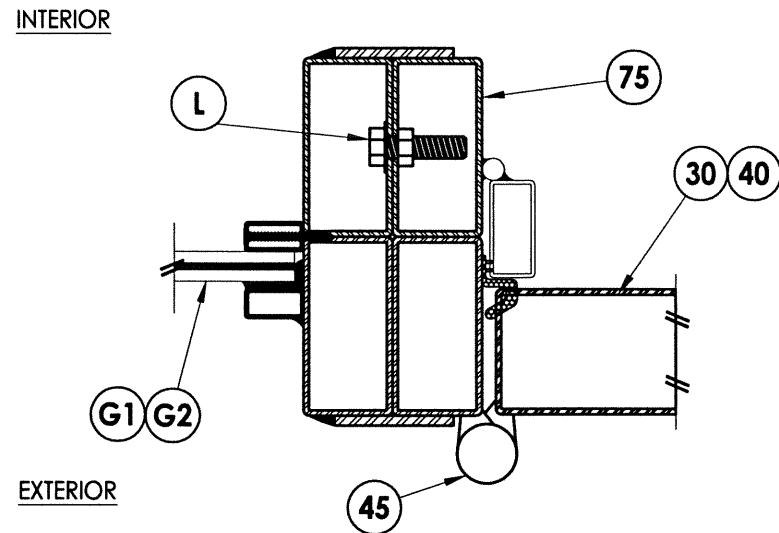
PRODUCT: CLARK HALL IRON DOORS
 PART OR ASSEMBLY: ELEVATIONS

NO.	DATE	BY

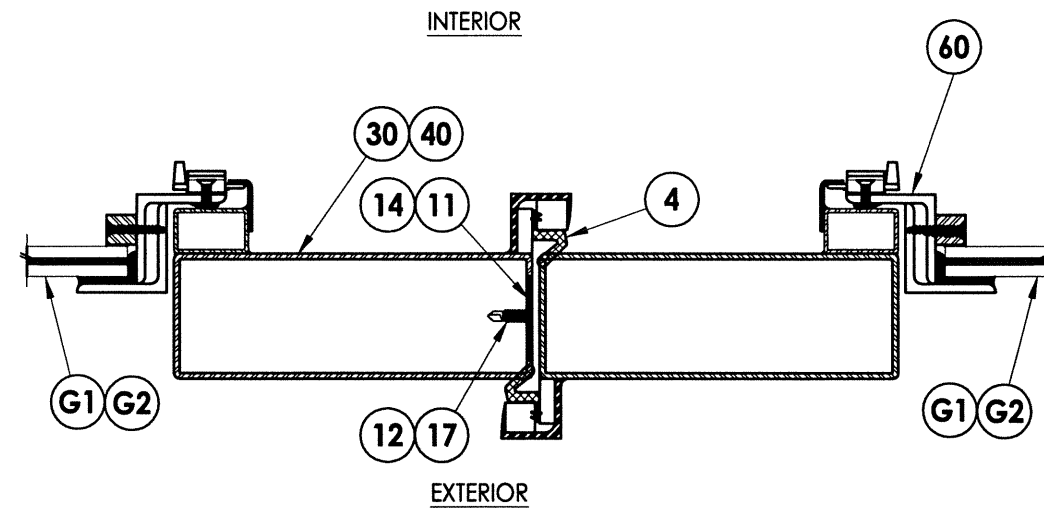
DATE: 10/30/13
 SCALE: N.T.S.
 DWG. BY: JK
 CHK. BY: LFS
 DRAWING NO.: FL-16663.17
 SHEET 5 OF 12



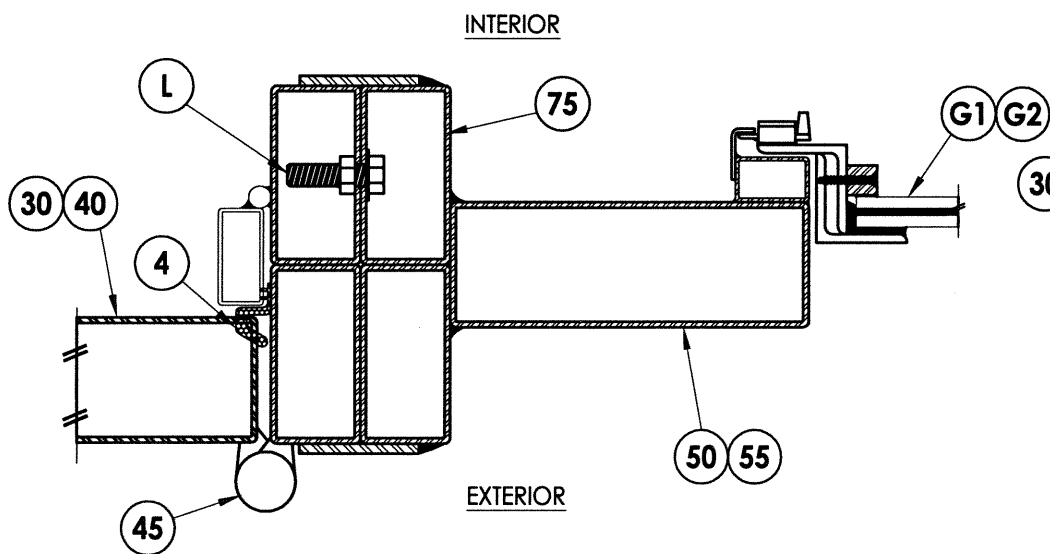
1 HORIZONTAL CROSS SECTION
6



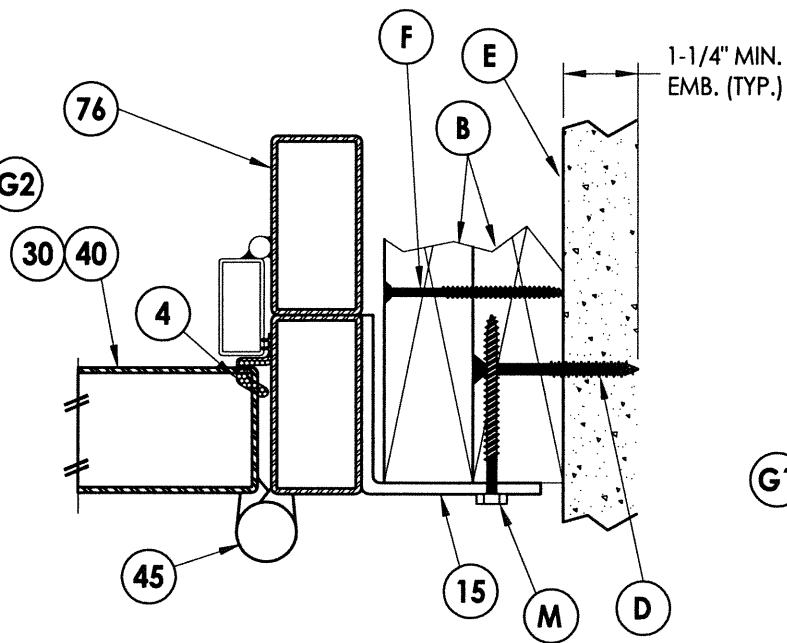
2 HORIZONTAL CROSS SECTION
6 Outswing Shown (Inswing Similar)



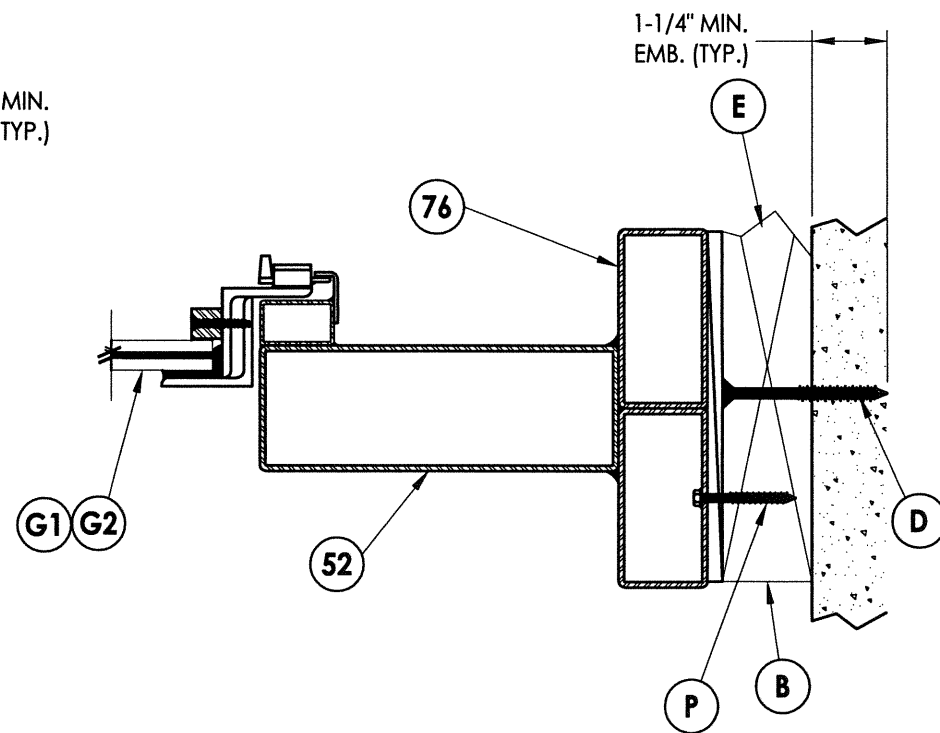
3 HORIZONTAL CROSS SECTION
6 Outswing Shown (Inswing Similar)



4 HORIZONTAL CROSS SECTION
6 Outswing Shown (Inswing Similar)



5 HORIZONTAL CROSS SECTION
6 Outswing Shown (Inswing Similar)



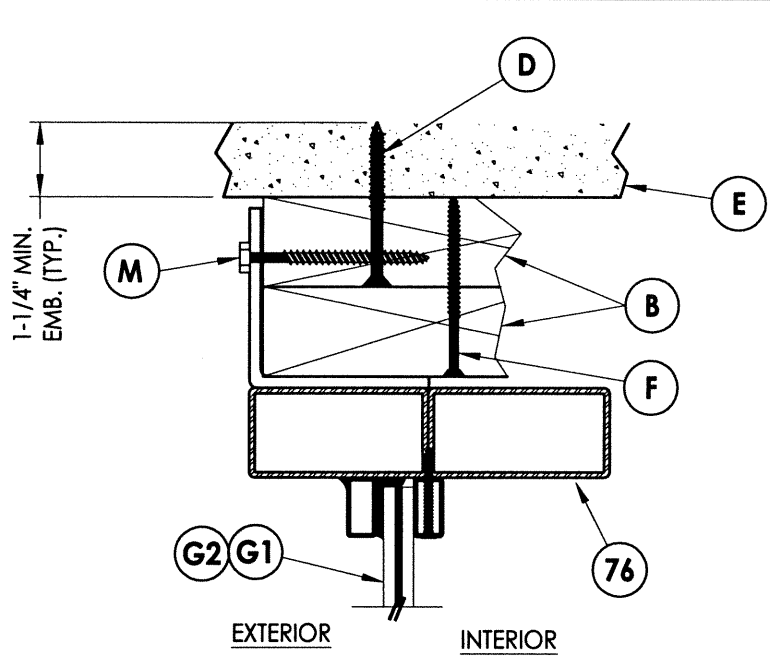
6 HORIZONTAL CROSS SECTION
6 Shown w/ Optional Through the Frame Anchoring

Documents Prepared By:
RW BUILDING CONSULTANTS, INC.
P.O. Box 230 Valrico FL 33595
Phone No.: 813.659.9197
Florida Board of Professional Engineers
Certificate of Authorization No. 9813
FL-12-30-13
Lyndon F. Schmidt, P.E. No. 43409

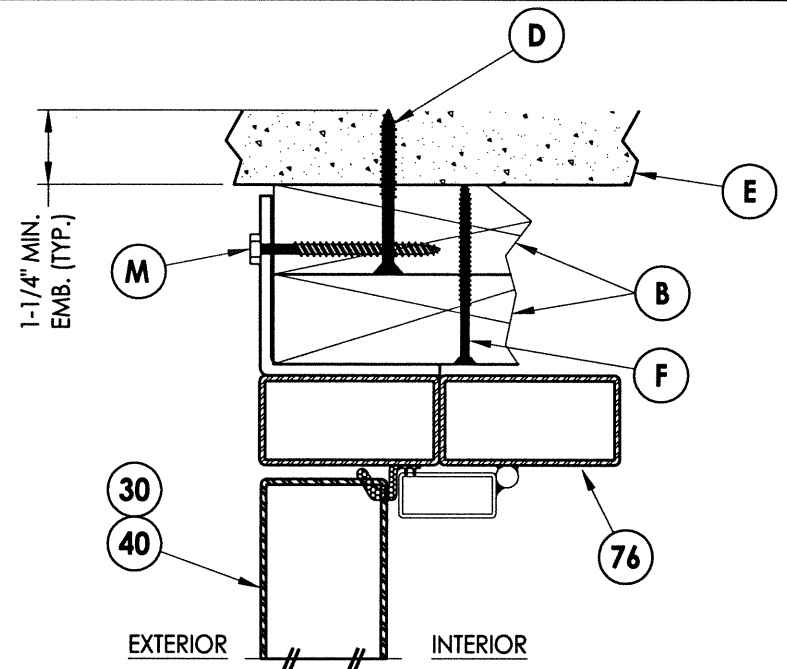
PRODUCT: CLARK HALL IRON DOORS
PART OR ASSEMBLY: HORIZONTAL CROSS SECTIONS

NO.	DATE	BY

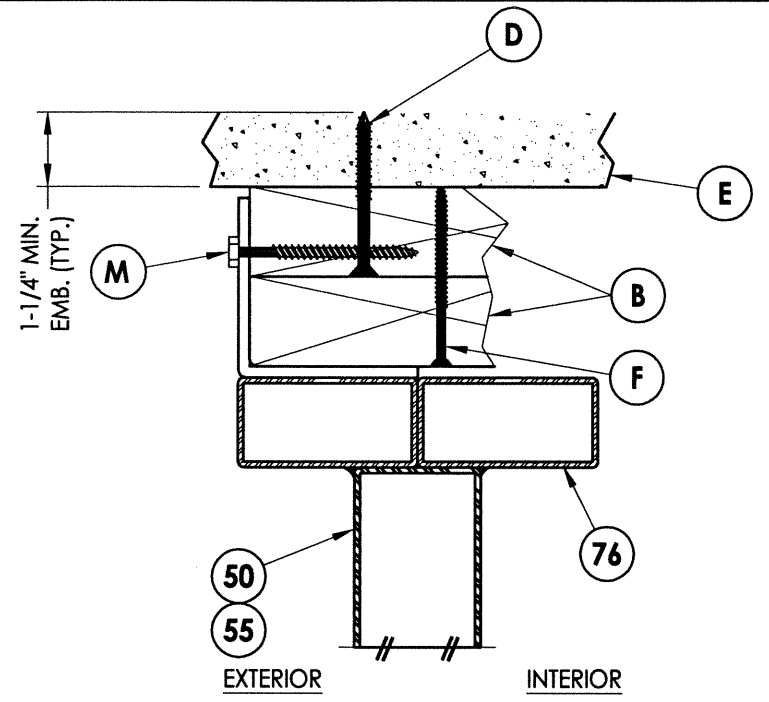
DATE: 10/30/13
SCALE: N.T.S.
DWG. BY: JK
CHK. BY: LFS
DRAWING NO.: FL-16663.17
SHEET 6 OF 12



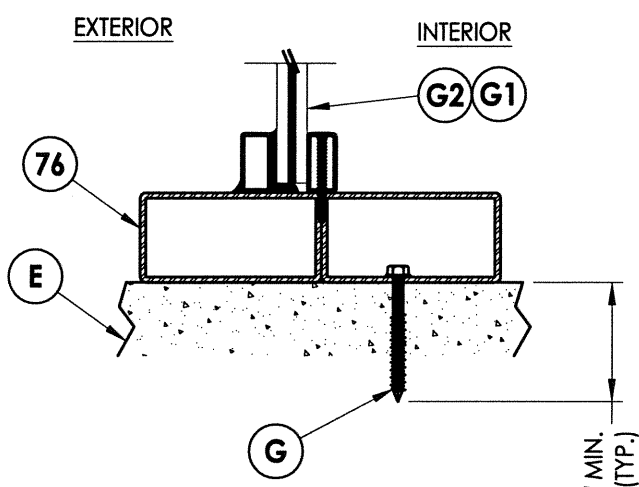
1 VERTICAL CROSS SECTION
7 Outswing Shown (Inswing Similar)



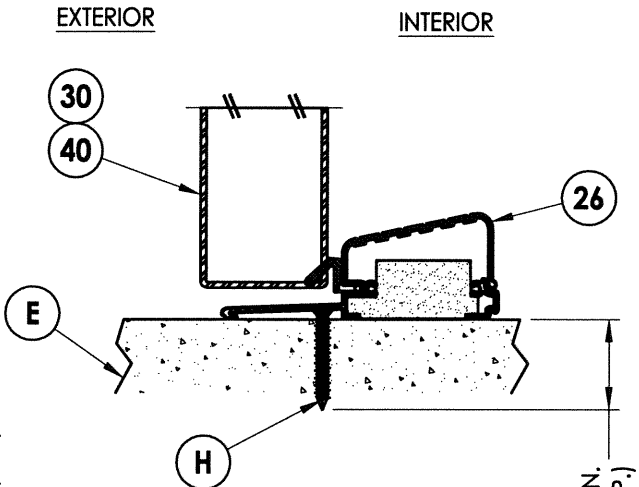
2 VERTICAL CROSS SECTION
7 Outswing Shown (Inswing Similar)



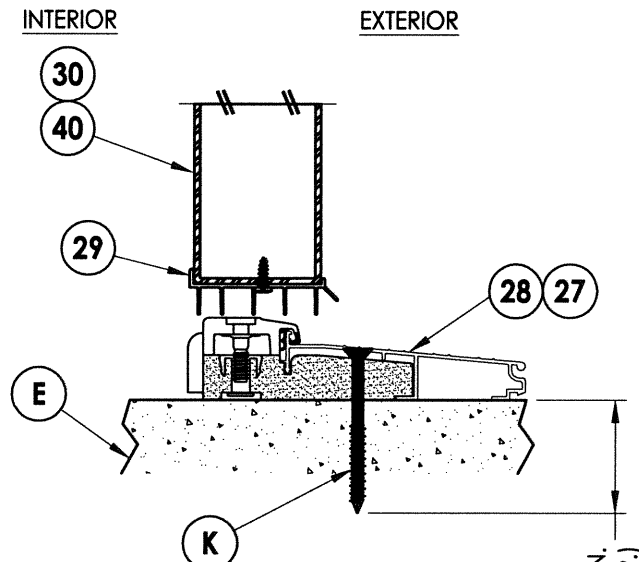
3 VERTICAL CROSS SECTION
7 Outswing Shown (Inswing Similar)



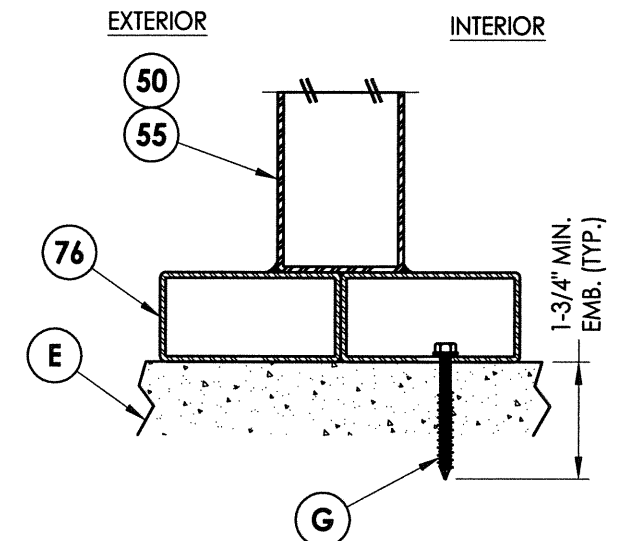
4 VERTICAL CROSS SECTION
7 Outswing Shown (Inswing Similar)



5 VERTICAL CROSS SECTION
7 Outswing Sill



6 VERTICAL CROSS SECTION
7 Inswing Sill



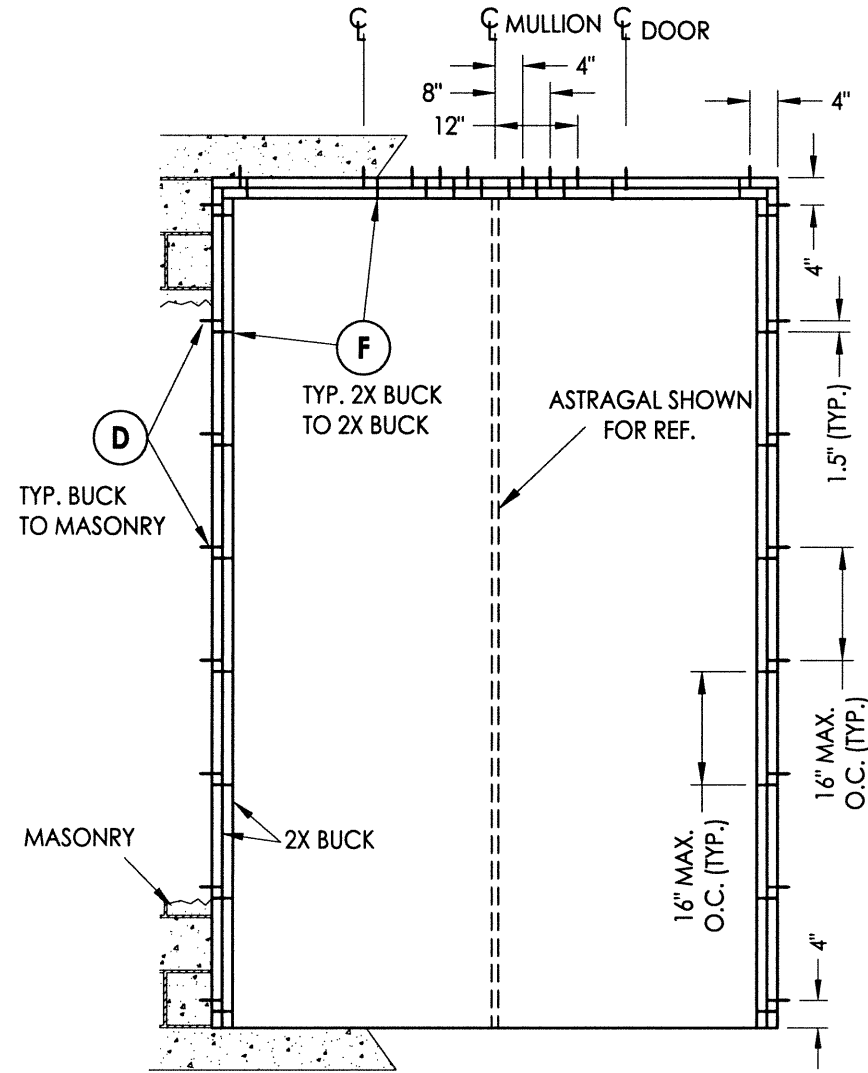
7 VERTICAL CROSS SECTION
7 Outswing Shown (Inswing Similar)

Documents Prepared By:
RW BUILDING CONSULTANTS, INC.
 P.O. Box 230 Valrico FL 33595
 Phone No.: 813.659.9197
 Florida Board of Professional Engineers
 Certificate Of Authorization No. 9813
 Lyndon F. Schmidt, P.E. No. 43409

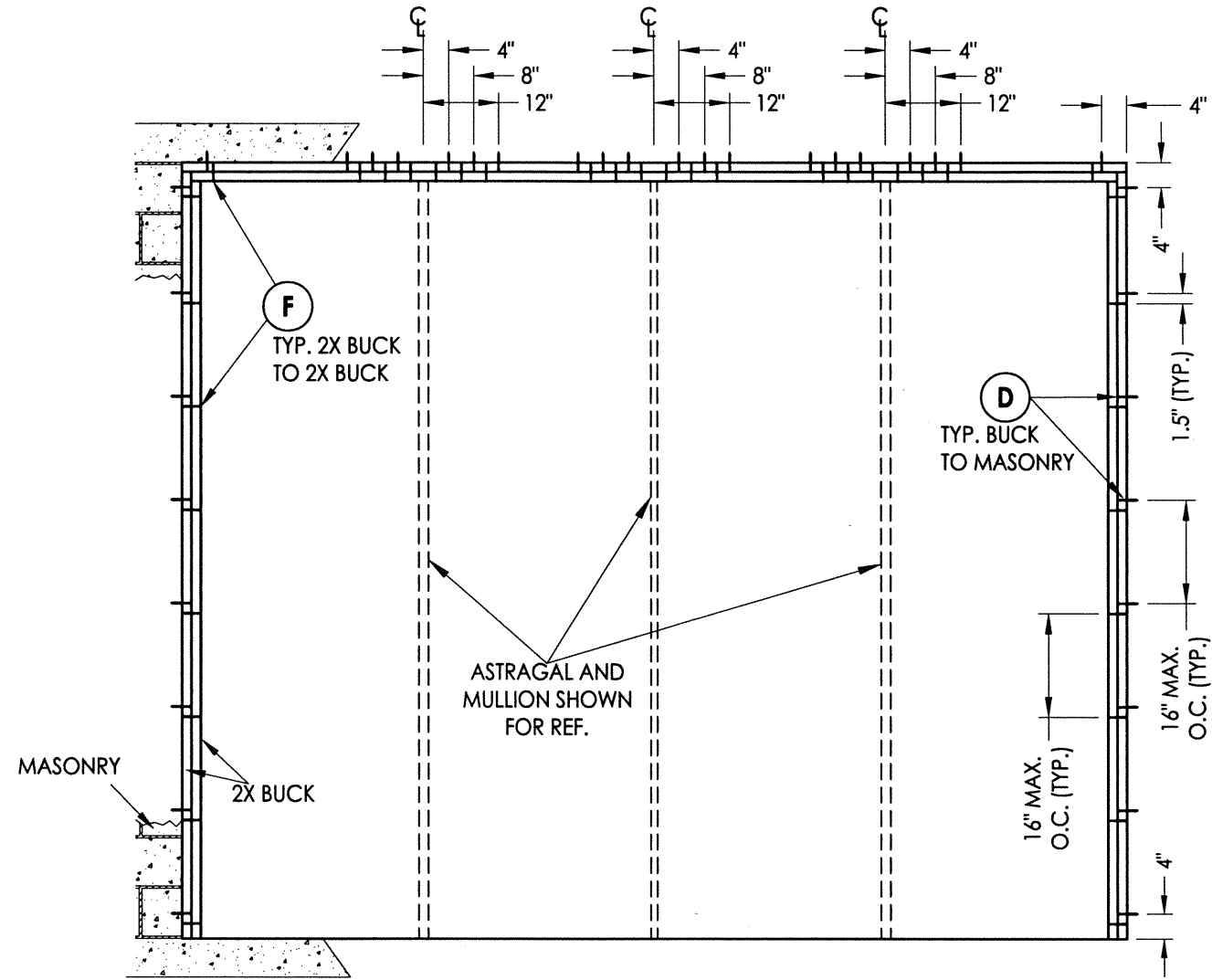
PRODUCT: CLARK HALL IRON DOORS
 PART OR ASSEMBLY: VERTICAL CROSS SECTIONS

NO.	DATE	BY

DATE: 10/30/13
 SCALE: N.T.S.
 DWG. BY: JK
 CHK. BY: LFS
 DRAWING NO.: FL-16663.17
 SHEET 7 OF 12



BUCK ANCHORING
XX



BUCK ANCHORING
OXXO

NOTE FOR THROUGH THE FRAME ANCHORING ONLY
ONE 2X BUCK IS REQUIRED, ANCHORED AS SHOWN.

CONCRETE ANCHOR NOTES:

1. Concrete anchor locations at the corners may be adjusted to maintain the min. edge distance to mortar joints.
2. Concrete anchor locations noted as "MAX. ON CENTER" must be adjusted to maintain the min. edge distance to mortar joints, additional concrete anchors may be required to ensure the "MAX. ON CENTER" dimension are not exceeded.
3. Concrete anchor table:

ANCHOR TYPE	ANCHOR SIZE	MIN. EMBEDMENT	MIN. CLEARANCE TO MASONRY EDGE	MIN. CLEARANCE TO ADJACENT ANCHOR
ITW TAPCON®	1/4"	1-1/4"	2-1/2"	4"
ELCO ULTRACON®	1/4"	1-1/4"	2-1/2"	4"

Documents Prepared By:

RW BUILDING CONSULTANTS, INC.
P.O. Box 230 Vero Beach, FL 33595
Phone No.: 813.659.9197
Florida Board of Professional Engineers
Certificate Of Authorization No. 9813

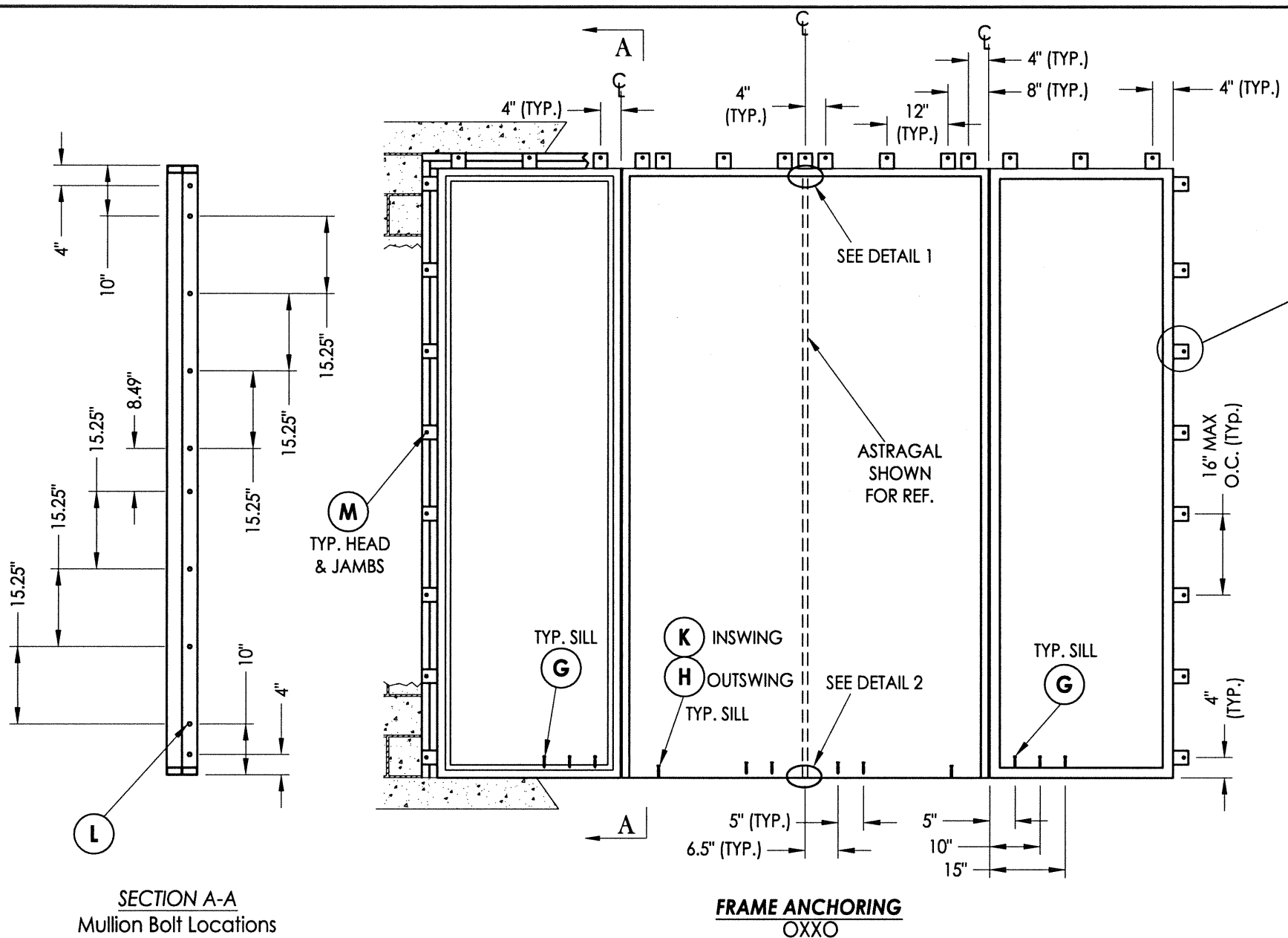
Lyndon F. Schmidt, P.E. No. 43409

PRODUCT: CLARK HALL IRON DOORS

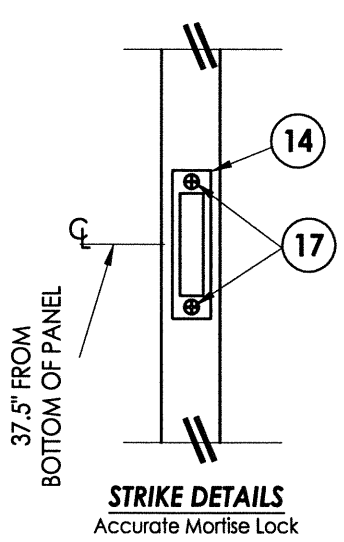
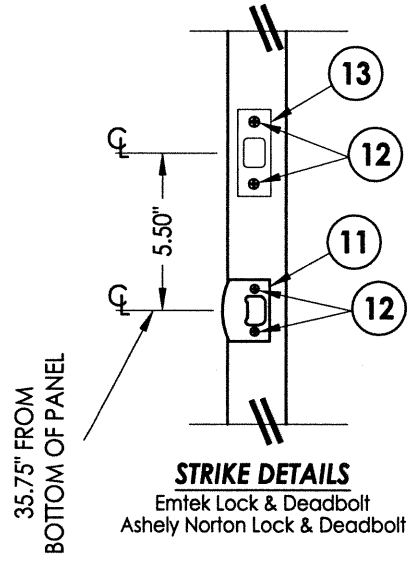
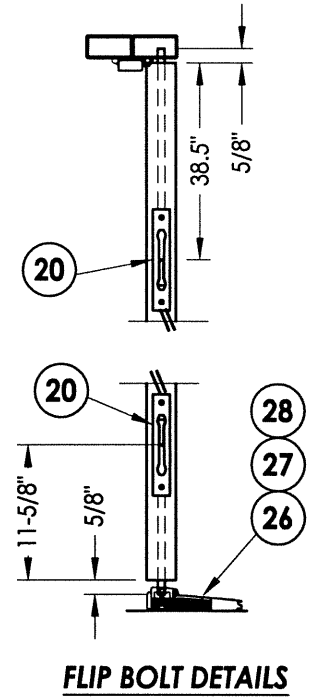
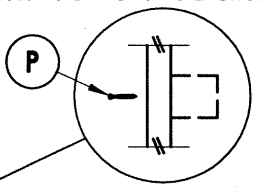
PART OR ASSEMBLY: BUCK ANCHORING

NO.	DATE	BY	REVISIONS

DATE: 10/30/13
SCALE: N.T.S.
DWG. BY: JK
CHK. BY: LFS
DRAWING NO.: FL-16663.17
SHEET 8 OF 12



ALTERNATE ANCHORING
THROUGH THE FRAME
SUBSTITUTE ANCHOR @ EACH BRACKET



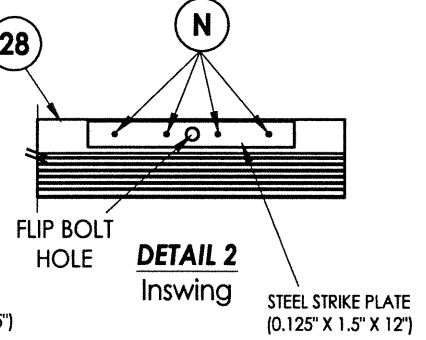
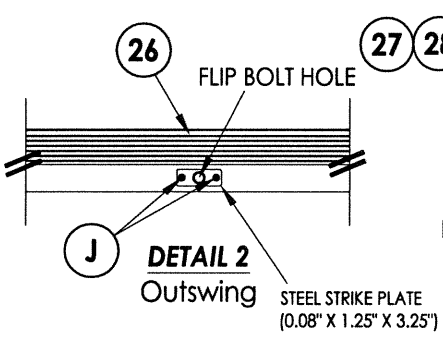
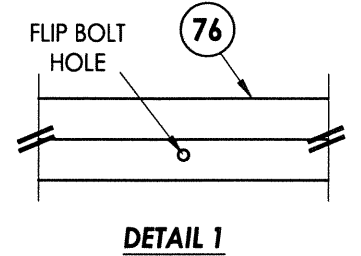
SECTION A-A
Mullion Bolt Locations

FRAME ANCHORING
OXO

CONCRETE ANCHOR NOTES:

- Concrete anchor locations at the corners may be adjusted to maintain the min. edge distance to mortar joints.
- Concrete anchor locations noted as "MAX. ON CENTER" must be adjusted to maintain the min. edge distance to mortar joints, additional concrete anchors may be required to ensure the "MAX. ON CENTER" dimension are not exceeded.
- Concrete anchor table:

ANCHOR TYPE	ANCHOR SIZE	MIN. EMBEDMENT	MIN. CLEARANCE TO MASONRY EDGE	MIN. CLEARANCE TO ADJACENT ANCHOR
ITW TAPCON®	3/16"	1-1/4"	3"	2-1/2"
	1/4"	1-1/4"	2-1/2"	4"
	5/16" (XL)	1-3/4"	2-1/2"	5"
ELCO ULTRACON®	1/4"	1-1/4"	2-1/2"	4"
	5/16"	1-3/4"	2-1/2"	5"



Documents Prepared By:
RW BUILDING CONSULTANTS, INC.
P.O. Box 230 Valrico FL 33595
Phone No.: 813.659.9197
Florida Board of Professional Engineers
Certificate Of Authorization No. 9813
FLC 12.30.13
Lyndon F. Schmidt, P.E. No. 43409

PRODUCT:	CLARK HALL IRON DOORS	
PART OR ASSEMBLY:	FRAME ANCHORING	
NO.	DATE	BY
REVISIONS		

DATE: 10/30/13
SCALE: N.T.S.
DWG. BY: JK
CHK. BY: LFS
DRAWING NO.: FL-16663.17
SHEET 10 OF 12

